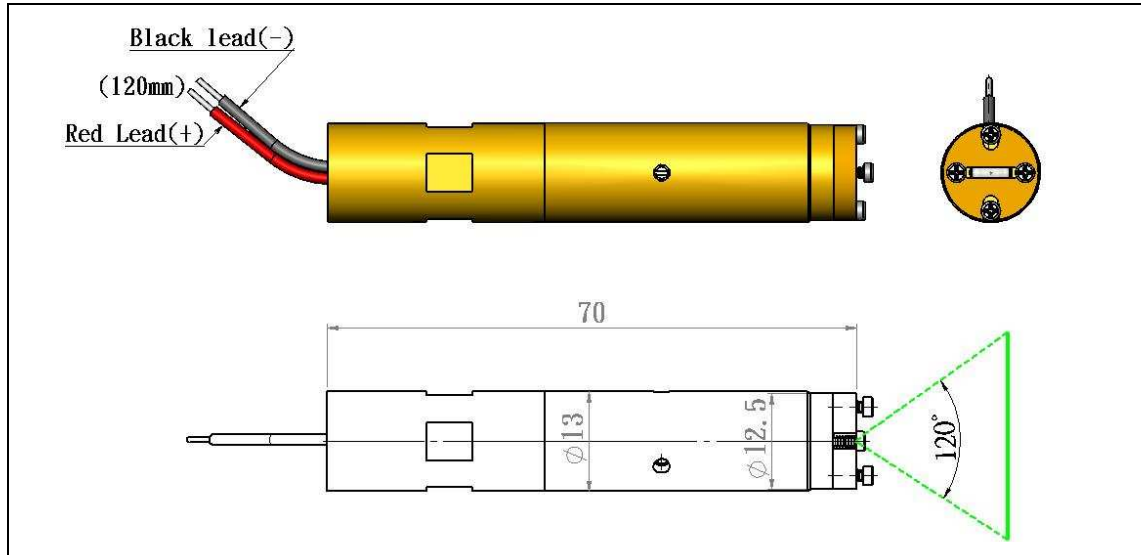


MODEL TYPE

VLM-532-46 LPT

Green line Laser

OUTLINE DIMENSIONS (UNITS: mm)



1. Miniature highlight green laser line module for industrial application.
2. Compact size for general application.
3. The brass housing for better heat dispersion.
4. Multiple glass lenses included for high quality laser focus.
5. High electric stability APC driver included.

SPECIFICATIONS:		532-46 LPT
1	Operating Voltage (Vop)	2.7 ~ 3.3V
2	Operating Current (Iop)	≤ 300 mA
3	Cw output power(Po)	≤ 1mW
4	Wavelength at peak emission (λp)	532 nm
5	Cylindric lens	Quartz Cylindric lens(ø2)
6	Collimating lens	Glass (ø6)
7	Laser line Width	2.5 ±0.5mm@5m , 5 ±0.5mm@10m
8	Laser line accuracy	20" (+/- 1mm @10m)
9	Emitting angle	> 120°
10	Temperature Range - Operating	+15°C ~ +35°C
11	Storage temp. range	-40°C ~ +70°C
12	Housing	Brass
13	Mean time to failure (MTTF) @ 25°C	3,000 Hours