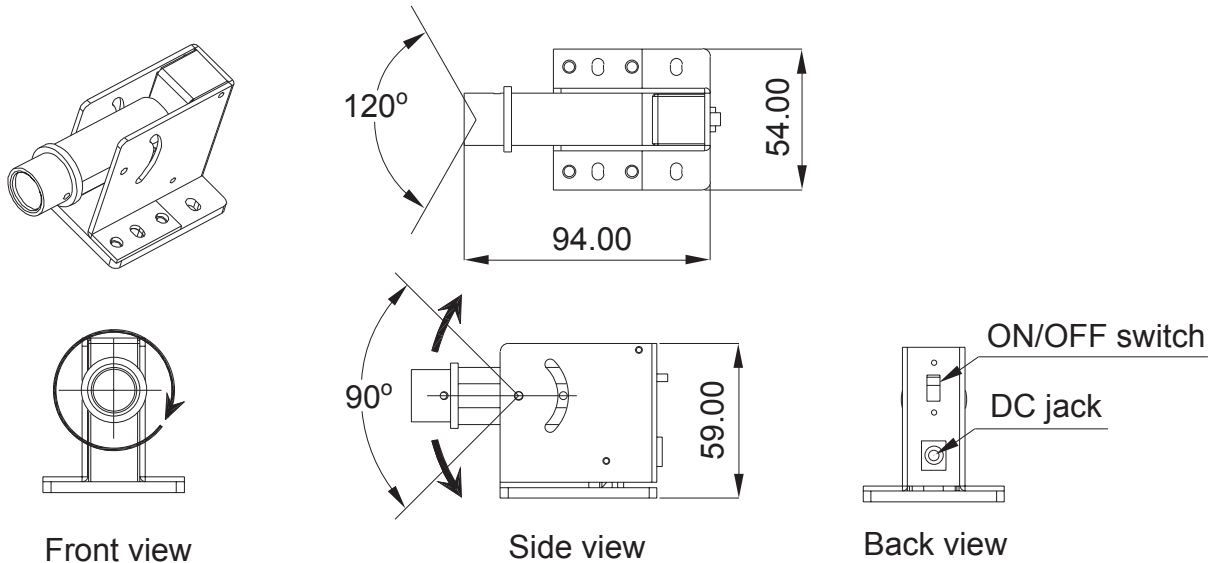


MODEL TYPE

□ VLM-ML100 (LINE GENERATOR)

OUTLINE DIMENSIONS (UNITS: mm)



1. This model integrated quartz rod lens, collimating lens, laser diode, and the APC driver circuit into an adjustable structure for better line quality and the best shock resistance.
2. The module is 360° rotatable and the angle of incidence can be changed to 45°.
3. E.S.D. protection 15KV.

SPECIFICATIONS	VLM-ML100
Operating voltage (Vop) □	DC 3.5 ~ 6V
Operating current (Iop) □	40±15mA
Cw output power (Po)	≤ 1mW
Wavelength at peak emission (λ p)	630 ~ 645nm
Cylindric lens	Quartz rod lens (∅3)
Collimating lens □	Aspherical plastic (∅7)
Laser line width	< 2mm at 4m
Laser line accuracy	< 0.01° (40") at 4m
Dimensions (L x W x H) □	94 x 54 x 59
Emitting angle □	> 120°
Mean time to failure (MTTF) 1mW 25°C □	5000 hrs
Operating temp. range □	+5°C ~ +40°C
Storage temp. range □	-20°C ~ +60°C