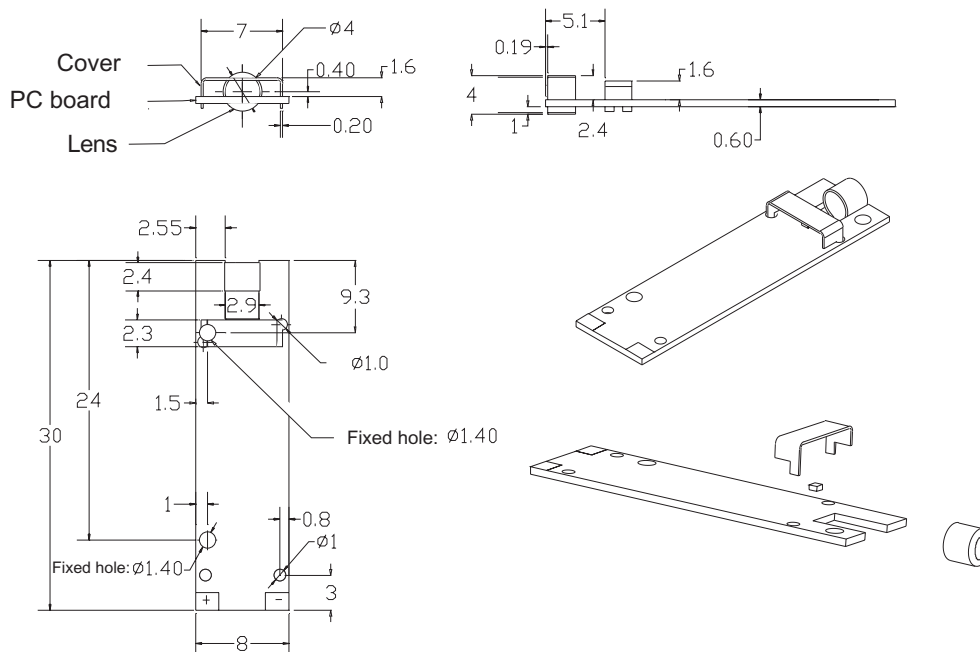


MODEL TYPE

VLM-650-32 LPA / VLM-650-32 LPT (Patent pending)

OUTLINE DIMENSIONS (UNITS: mm)



1. For general laser sighting applications.
2. This model integrated optic, laser diode, and the APC circuit into a patented structure for the smaller space.
3. Options: Output power: Class II - less than 1mW / Class IIIa - less than 5mW.
4. E.S.D. protection 15KV.

SPECIFICATIONS	650-32
Operating voltage (Vop)	3 ~ 4.5V
Operating current (Iop)	≤ 35mA
Cw output power (Po)	≤ 1 ~ 2.5mW
Wavelength at peak emission (λ p)	645 ~ 660nm
Collimating lens	Aspherical plastic (ø3)
Mean time to failure (MTTF) 2.5mW 25°C	5000 hrs
Operating temp. range	+10°C ~ +30°C
Storage temp. range	-10°C ~ +60°C