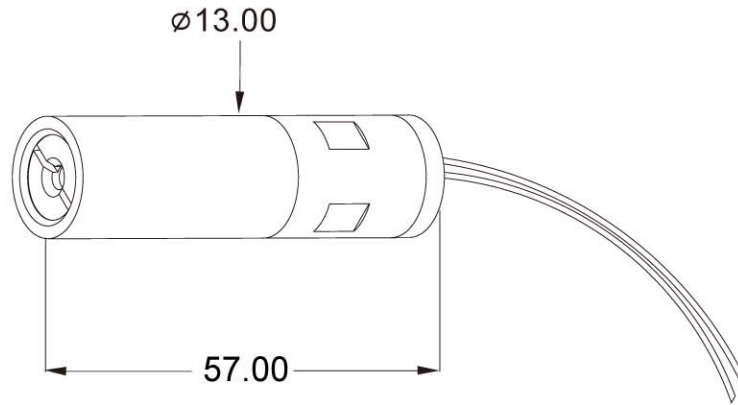


MODEL TYPE

VLM-532-43 LCA / VLM-532-43 LCB / VLM-532-43 LCC

OUTLINE DIMENSIONS (UNITS: mm)



1. Miniature highlight green laser module for industrial applications.
2. Compact size for general applications.
3. The brass housing for better heat dispersion.
4. Multiple glass lenses included for high quality laser focus.
5. High electric stability laser driver included.

SPECIFICATIONS	532-43 LCA	532-43 LCB	532-43 LCC
Operating voltage (Vop)	2.7 ~ 3.3V		
Operating current (Iop)	200 ~ 300 mA		
Cw output power (Po)	1 ~ 5mW, CW mode	5 ~ 10mW, CW mode	10 ~ 15mW, CW mode
Output power stability	< 10% @ 25°C after 10 minutes warm up		
Wavelength (λ p)	532nm		
Power source	Alkaline battery (Not included)		
Housing	Brass		
Spot size (∅)	< 6mm @ 5m, < 18mm @ 30m		
Half divergence angle	< 0.3 mrad		
Mean time to failure (MTTF)	> 4000 hrs		
Operating temp. range	+15°C ~ +35°C	+15°C ~ +35°C	+20°C ~ +30°C