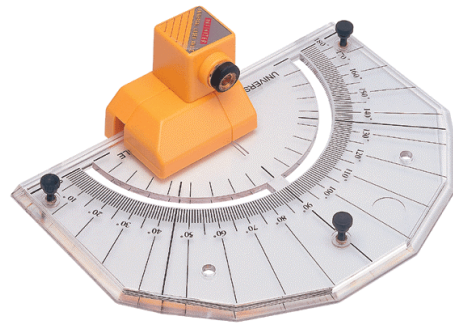


Universal Laser Angle™

Tiling, Flooring, and Remodeling

You have purchased the most convenient laser tool available today for all your leveling jobs. The INFINITER™ Universal Laser Angle™ with a high impact durable PC protractor can be used on projects (0° ~ 180°) ideal for tiling, flooring, and remodeling.



Features:

- Laser guideline up to 30 feet on any surface.
- Ideal for surface layout such as tiling, flooring, and remodeling.
- Simple setting and easy operation - save time on any project - for professionals and do-it-yourselfers.
- Unique PC protractor enables the Universal Laser Angle™ to be used in measuring different angles (0° ~ 180°)
- The PC protractor with three adjustable screws – can be used on uneven surfaces.
- Suitable for various thickness of speed square – from 1.5mm to 7mm
- Includes two AAA batteries.

Specifications:

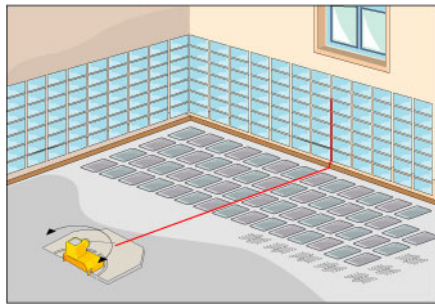
Dimensions (L x W x H):	2.64" x 3.15" x 3.15" (6.7cm x 8.0cm x 8.0cm) – Not incl. the PC protractor
Weight:	9.88oz. (280g) - Incl. batteries and a PC protractor
Wavelength:	650nm
Output Power:	C LII, less than 1mW CL IIIa, less than 5mW
Output Power:	<3mm at 4m
Operating temp. range:	41°F ~ 100°F (5°C ~ 38°C)
Power:	2 x AAA batteries
Dimensions of package (L x W x H):	11.5" x 11" x 3.4" (29.2cm x 28cm x 8.5cm)



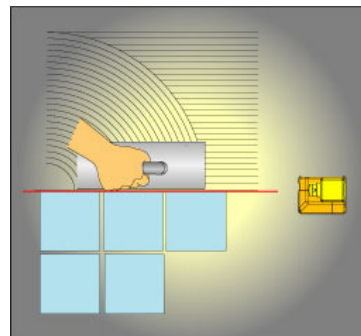
Warranty for 1 year

Complied with the European Standard EN 60825-1 & USA FDA Laser safety regulations

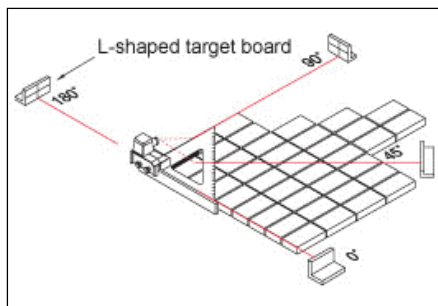
Applications:



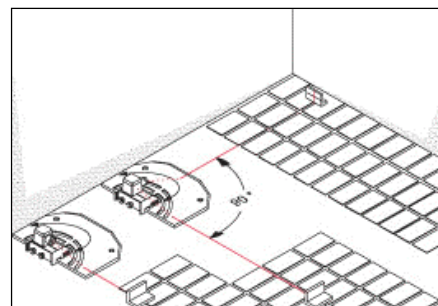
Tiling – with the PC protractor



Tiling – only use the Angle



Tiling - with the speed square



Tiling – with the PC protractor