

Laser Edge™ 45-M

Durable Magnetic Laser Torpedo

Plumbing, Flooring, Framing, Decorating

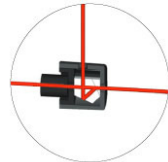


Tired of ordinary leveling tools for interior or exterior measuring applications? New from QUARTON the INFINITER™ Laser Edge™ 45-M is the versatile laser measuring tool suitable for both professionals and do-it-yourselfers. The new added adjustable feet with three vials enable Laser Edge™ 45-M to be located in a horizontal position. It's an ideal tool for use in difficult layout such as electrical, plumbing, or carpentry in workshops, on building sites, in the backyard or in the home.

Features:


- Three vials (0° 45° 90° allow the user to apply a grade or slope up to $\pm 1/2$ inches @ 100 feet.
- The adjustable feet enable the Laser Edge™ 45-M to be located in a horizontal position.
- The durable magnetic base features up to 15 lbs. holding power, will securely hold to any ferrous surface.
- Two Velcro straps included, designed for holding the Laser Edge™ 45-M to non ferrous pipes and tubing.
- Particular construction designed for easy operation.
- Includes three AA batteries.
- 90° magnetic beam split included.

90° magnetic beam split

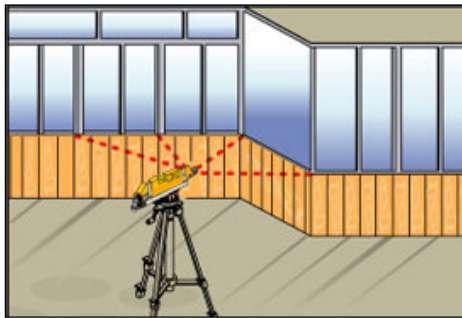


Prism generates two laser beams at 90° - one rotatable through 360°, the other a fixed reference beam.

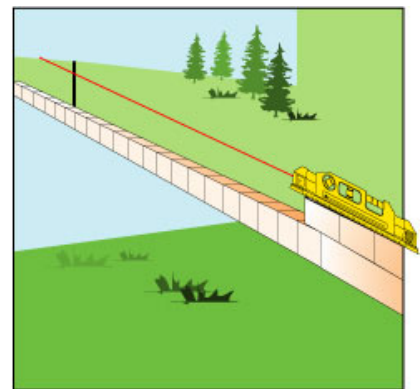
Specifications:	
Dimensions (L x W x H):	11.4" x 1.86" x 3.1" (29.0 cm x 4.5cm x 7.9cm)
Weight:	14.29oz. (405g) -Incl. batteries
Vials:	Direction: 0°, 45°, 90° (three vials) Level sensitivity: Vertical: 30 minute Horizontal: 30 minute 45°: 30 minute
Construction:	Housing: Aluminum + Plastic Finishing: Anodized
Laser accuracy:	Accuracy: ± 0.42 mm per meter Wavelength: 650nm

	Output power: CL II, less than 1mW CL IIIa, less than 5mW
Range:	Dot-650nm / 109 yards (100m) – CL II
Power:	Dot-650nm / 547 yards (500m) – CL IIIa
Dimensions of package (L x W x H):	17.5" x 2.6" x 1.3" (44.5cm x 6.7cm x 3.4cm)
	
Warranty for 1 year	
Complied with The European Standard EN 60825-1 & USA FDA Laser safety regulations	

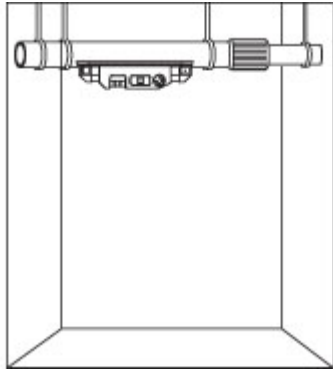
Applications:



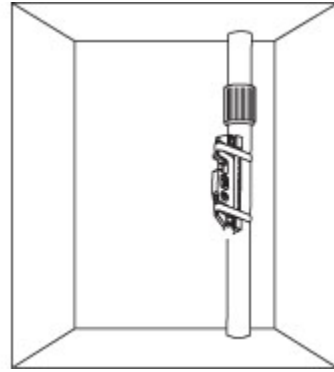
Doors or windows framing



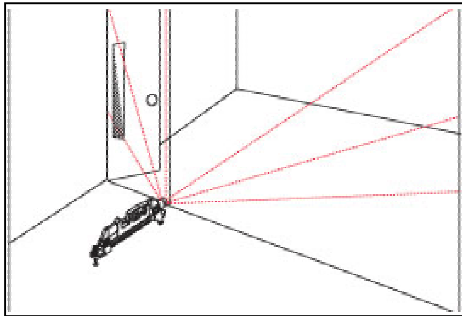
Bricking



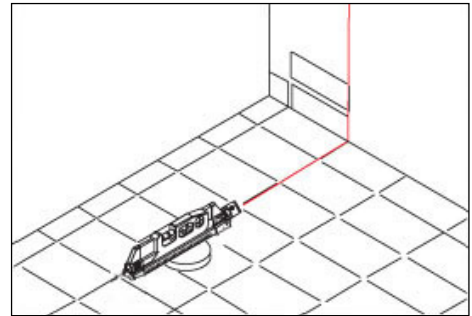
Piping –ferrous surfaces



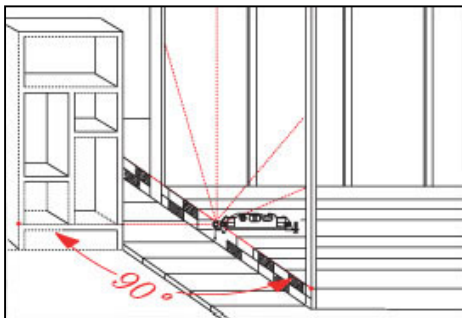
Piping – non ferrous surfaces



Door framing



Tiling



Framing