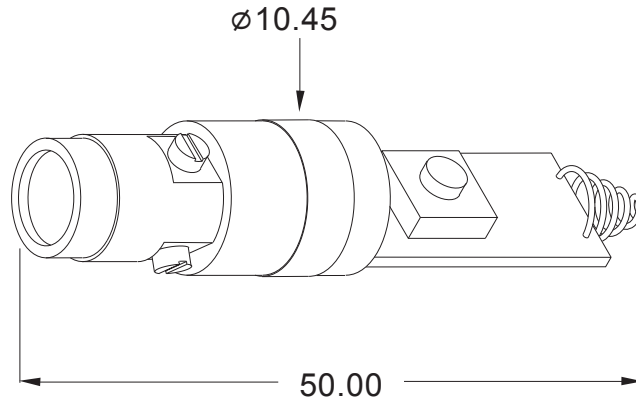


MODEL TYPE

□ VLM-532-42 SCA

OUTLINE DIMENSIONS (UNITS: mm)



1. Miniature highlight green laser module for laser pointer applications.
2. Compact size for general applications.
3. The brass housing for better heat dispersion.
4. Multiple glass lenses included for high quality laser focus.
5. High electric stability laser driver included.

| SPECIFICATIONS | 532-42 LCA |
|-------------------------------|---------------------------------------|
| Operating voltage (Vop) □ | 2.7 ~ 3.3V |
| Operating current (Iop) □ | 270 ~ 350mA |
| Cw output power (Po) | Class IIIa, CW mode |
| Output power stability | < 10% @ 25°C after 10 minutes warm up |
| Wavelength (λ p) | 532nm |
| Power source □ | Alkaline battery (Not included) |
| Housing □ | Brass |
| Spot size (∅) □ | < 5mm @ 3m |
| Mean time to failure (MTTF) □ | > 4000 hrs |
| Operating temp. range □ | +20°C ~ +30°C |