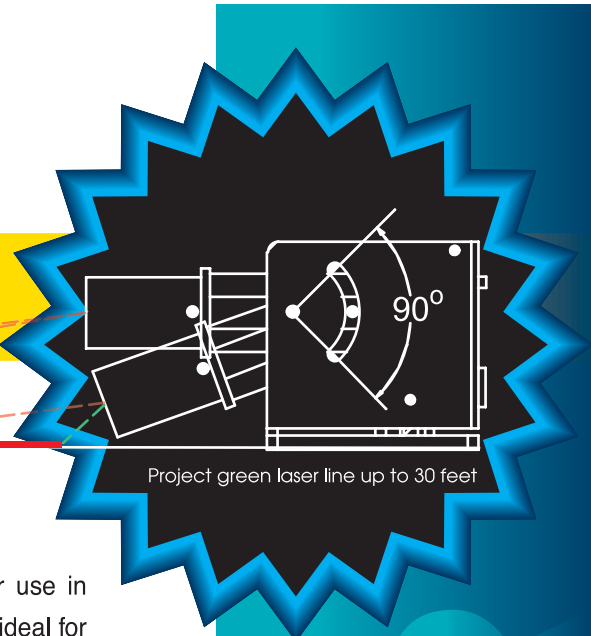


雙面套餐2000份 裁切尺寸21.5x28cm

**INFINITER™**

**ML-100 Green Beam Red Beam**

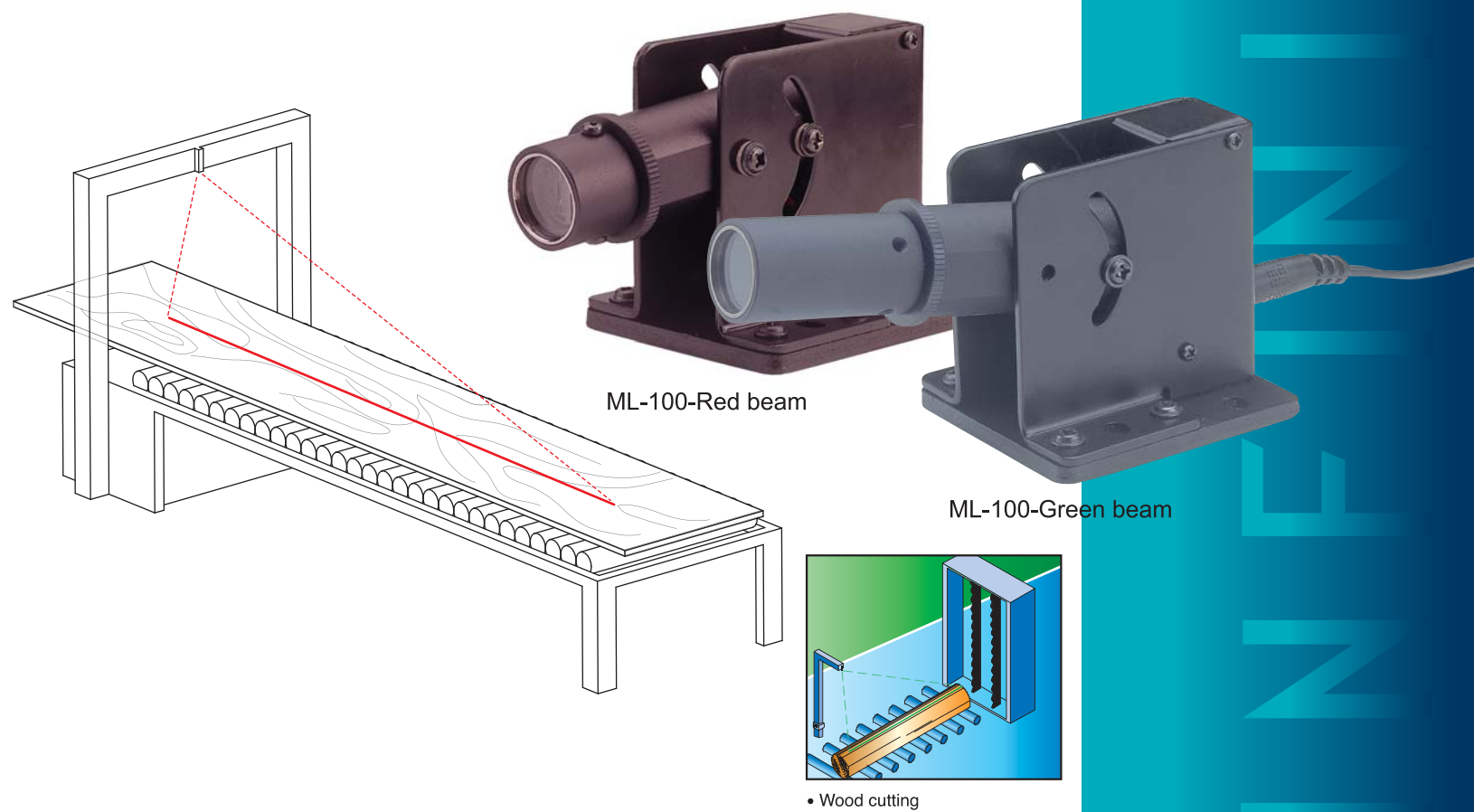
Positioning for Cutting all Kinds of Materials  
in Large Work Surfaces



The INFINITER™ ML-100 projects a laser line up to 30 feet long for use in alignment, machine vision systems, construction and process control, ideal for most large-field cutting applications. The adjustable housing allows for easy mounting and aiming of the highly visible green laser line. Its lightweight and portable features make for easy installation and operation - saving time and money.

**Features:**

- Projects a visible green laser guideline up to 30 feet long - suitable for large work surfaces.
- Ideal for all large-field cutting works (textile, wood, stone and sheetmetal, etc.).
- Special aspheric glass lens enables a visible and bright laser line.
- Metal housing for maximum ruggedness and shock resistant.
- Compact and lightweight, designed especially for one-person setup and use.



Note: The DC adaptor is not included.

**ML-100 Green Beam Red Beam**

**Specifications:**

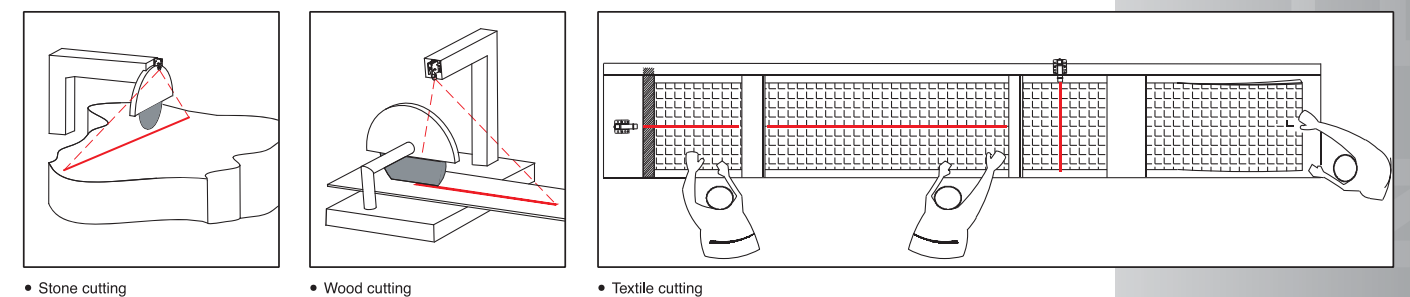
**Green Beam**

Dimensions (L x W x H)	4.88" x 2.13" x 2.32" (12.4cm x 5.4cm x 5.9cm)
Weight	10.23oz. (290.0g)
Wavelength	532nm
Output power	CL IIIa, CW mode
Width of laser line	<3mm @5m, <6mm @15m
Operating temp. range	59°F ~ 95°F (15°C ~ 35°C)
Emitting angle	>120°
Housing	Metal
Finishing	Black anodized
Power	DC adaptor 5 ~ 6V, ≥0.5A

**Red Beam**

Dimensions (L x W x H)	3.7" x 2.1" x 2.3" (9.4cm x 5.4cm x 5.9cm)
Weight	7.09oz. (224g)
Wavelength	635nm
Output power	CL II, less than 1mW CL IIIa, less than 5mW
Mean time to failure (MTTF)	5000 hours
Width of laser line	<2mm @4m
Operating temp. range	41°F ~ 104°F (5°C ~ 40°C)
Emitting angle	>120°
Housing	Metal
Finishing	Black anodized
Power	DC adaptor 3.5 ~ 6V

**Applications:**



**INFINITER®**  
**Quarton inc.**

9F,185,Sec. 1,Ta-Tung Rd.,Hsi-Chih,Taipei Hsien,Taiwan(221)  
Tel :886-2-2648-5656 E-mail:contact@quarton.com.tw  
Fax:886-2-2648-5522 http://www.quarton.com.tw